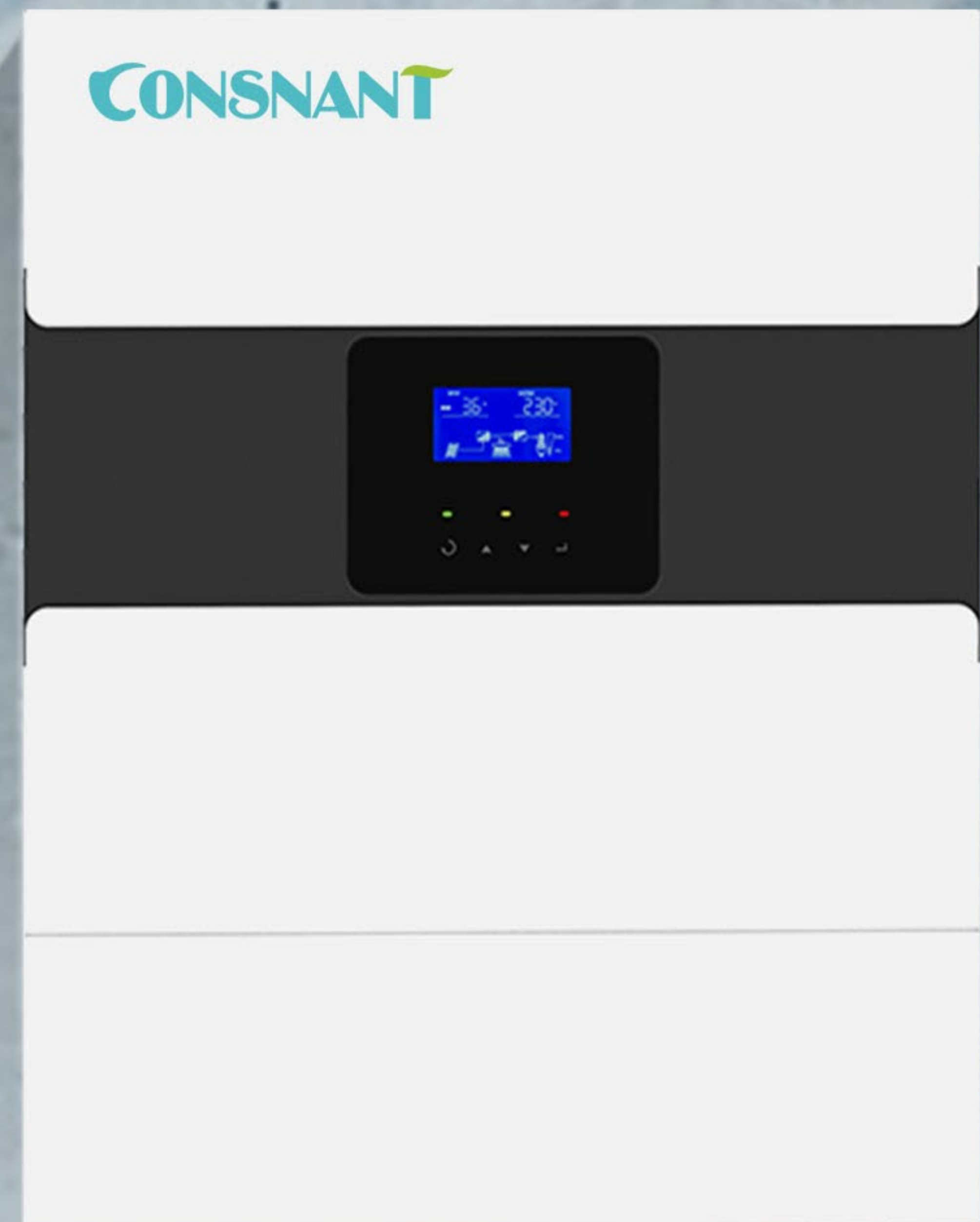


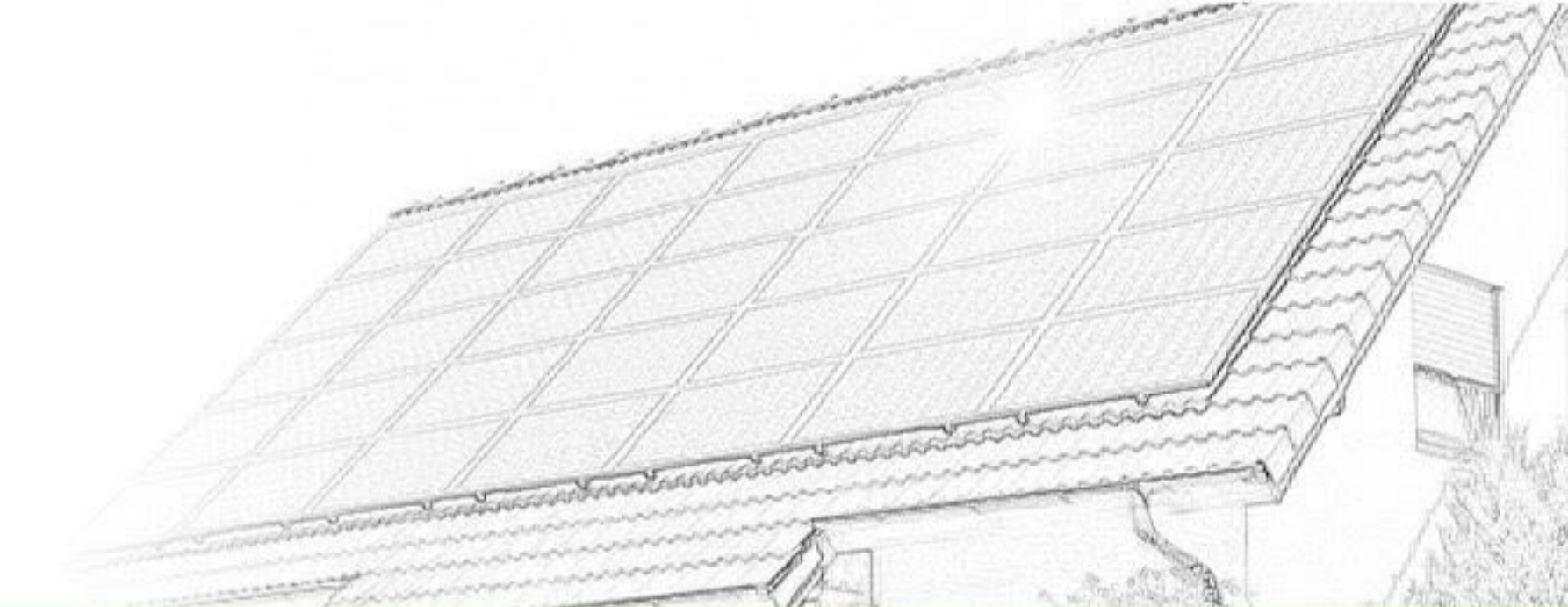
HIGH POWER HYBRID INVERTER

CNS110 8000-48 PLUS

Single 8KW High Power



CNS110 8000-48 PLUS



■ Scenarios



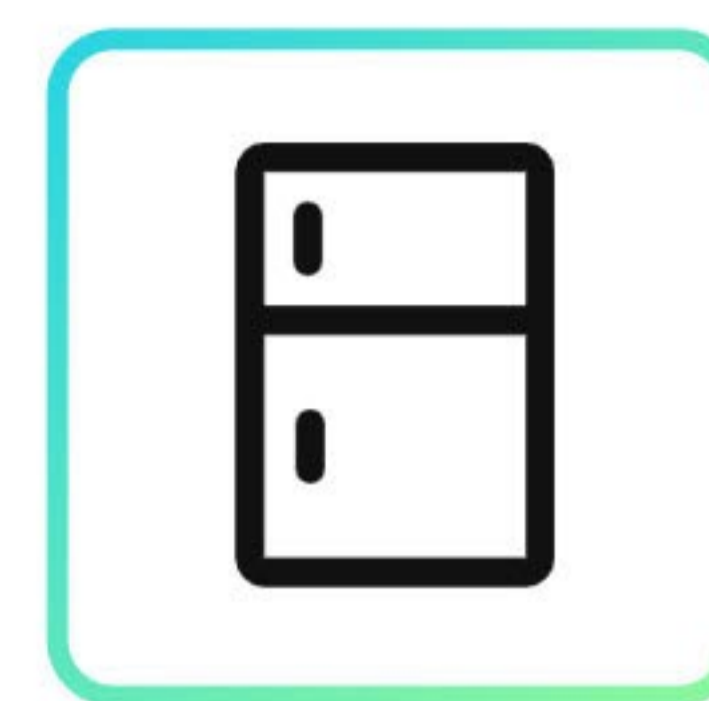
Solar Power



PC



TV



Fridge



Electric Fan



FM Radio



DVD

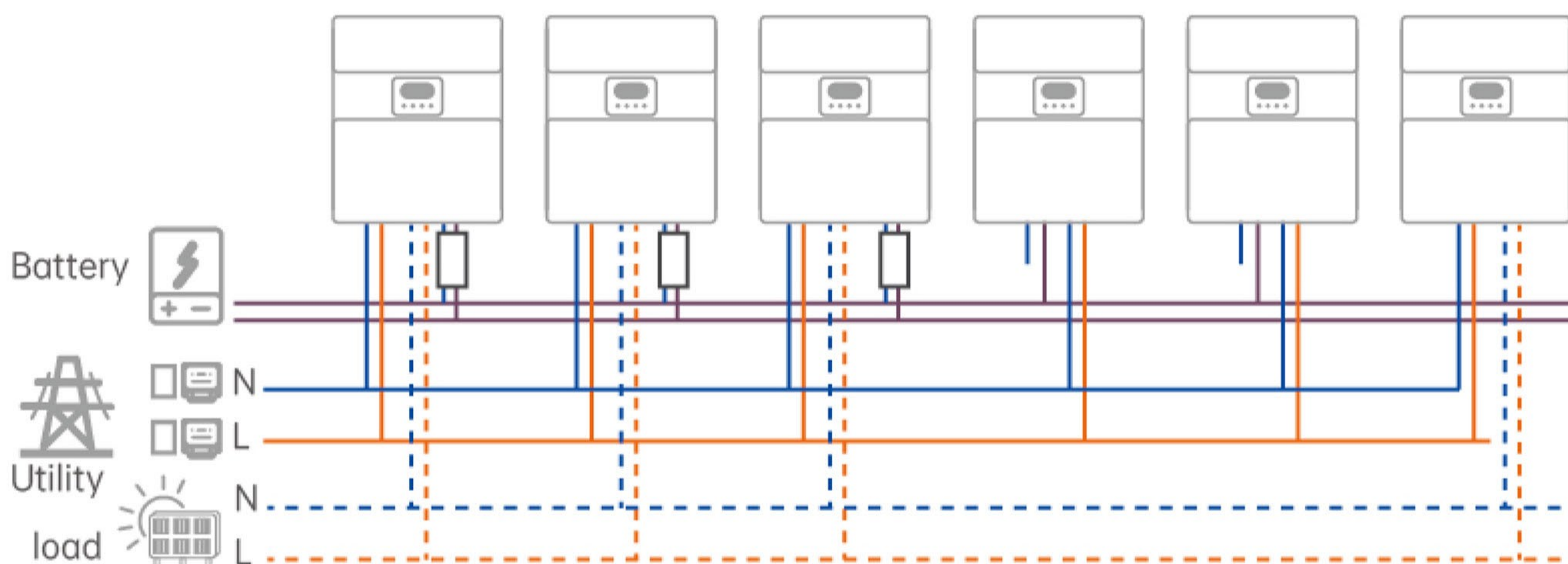


Air Conditioner

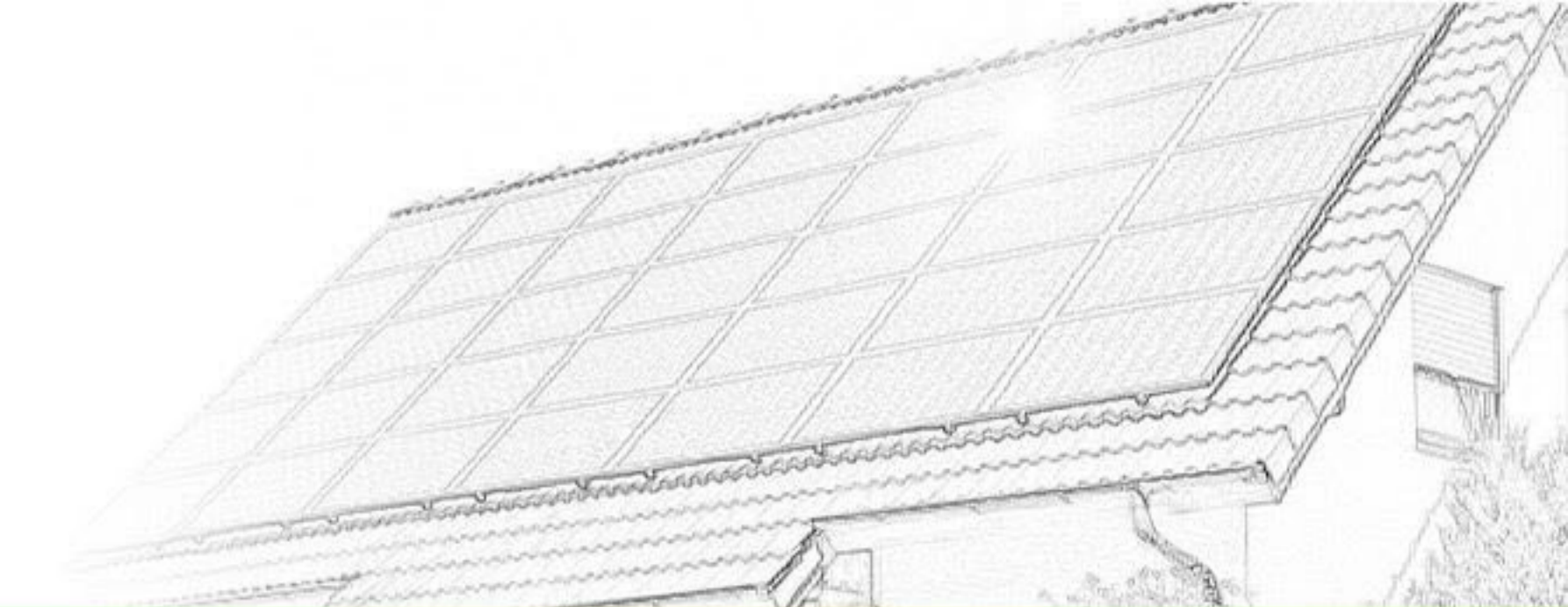
SINGLE HIGH-POWER 8KW SUPPORTS THREE-PHASE MODE

■ Hybrid Energy Storage System

- Single-phase hybrid solar inverter.
- Support lithium battery charging and discharging management.
- Support three-phase mode and grid connection mode.
- Optional Wifi module, supports remote App monitoring.



SPECIFICATIONS



Model		CNS110 8000-48 PLUS
Technical Parameters		
Max PV Array Power		8000W
Rated Output Power		8000W
Maximum PV Array Open Circuit Voltage		500VDC
MPPT Range @ Operating Voltage		120-450VDC
Grid Output (AC)		
Nominal Output Voltage		220/230/240VAC
Output Voltage Range		184-265VAC
Nominal Output Current		25.5A/24.3A/23.3A
Efficiency		93.5%
Off-Grid,Hybrid Operation		
Grid Input Acceptable Input Voltage Range		120-280VAC
Frequency Range		50Hz/60Hz
Battery Mode Output (AC)		
Nominal Output Voltage		220/230/240VAC
Output Wave Form		Pure Sine Wave
Battery & Charger		
Nominal DC Voltage		48VDC
Maximum Solar Charger Current		120A
Maximum AC Charge Current		120A
Maximum Charge Current		120A
Emergency Output Power		
Maximum Output Power		8000W
Surge Power		16000VA
Automatic Transfer Time		<8ms
Interface		
Parallel Function		Yes
Communication		USB & RS232 RS485CAN
Environment		
Relative Humidity		0~90% RH (No Condensing)
Operating Temperature		0°C to 50°C
Net Weight (KG)		21
Gross Weight (KG)		23
Product Size (mm)		490*580*139
Package Size (mm)		588*677*254

